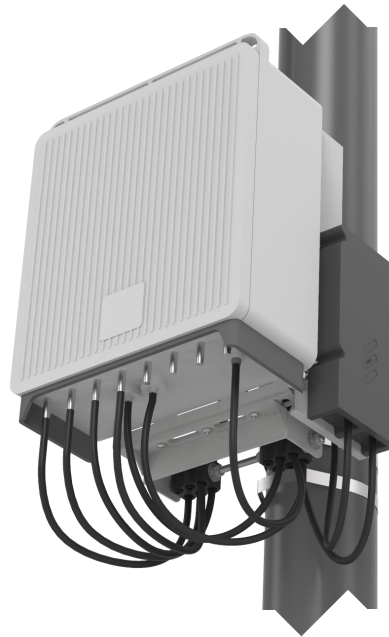


Pole Mount for Ericsson 8863 Radio

- Compact, Space Saving and Light Weight Pole Bracket
- Supports Mounting of Radio on Vertical Structures
- OAD and PSU Brackets Included
- Designed for High Wind Survivability
- Pole, Flat or Corner Surface Mounts Attachment Available
 - PTS5G-BK5231-PB—Pole Mount
 - PTS5G-BK5231-FB—Flat Surface Mount



Shown with Flat Surface Mount



Specifications

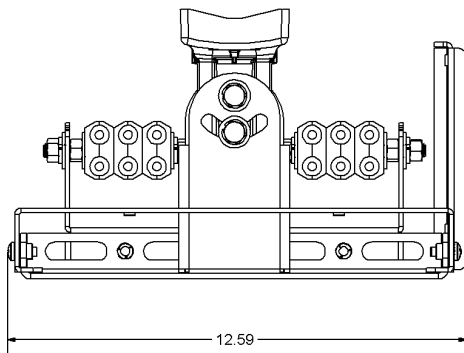
PTS5G-BK5231

Material	Powder Coated Aluminum
Hardware Material	Stainless Steel
Color	Light Textured Gray
Dimensions	See Outline Drawings
Unit Weight	7.1 lbs
Mechanical Azimuth for Bracket	+/- 45°
Wind Survivability	205 mph



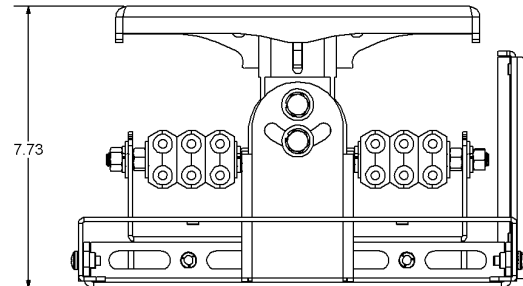
Outline Drawings

Top View



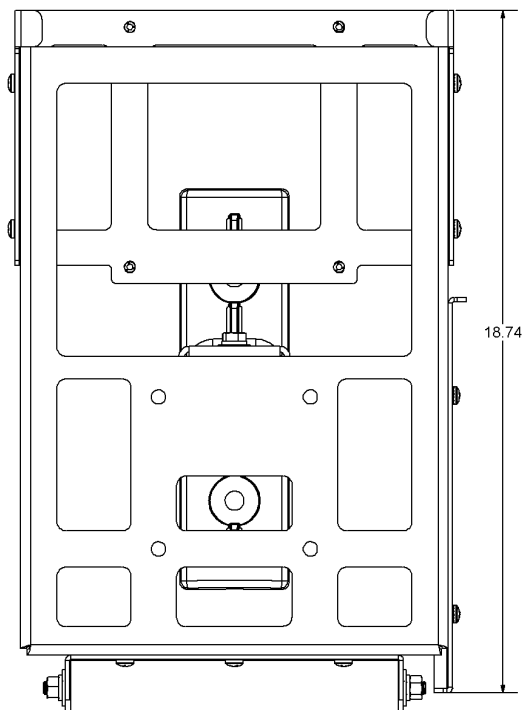
PTS5G-BK5231-PB

**Top View
with Flat Surface Mount**



PTS5G-BK5231-FB

Front View



Side View

