



PTS9042X Series

Small Cell AC Power Distribution Panels

Small Cell AC Power Distribution Panel with Power Protection and Integrated Disconnect (model dependent)

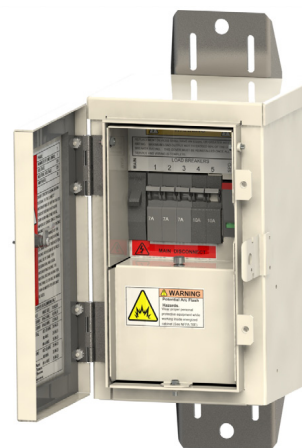
Compact Small Cell AC Load Center. Factory loaded with 30 or 40 AMP Main Breaker, and up to 6 Pre-loaded Load Breakers per customer deployment requirements. Single and Dual SPD options available. Integrated Power Disconnect Switch in the PTS90422 version. Pole mounting bracket included.

Electrical Specifications

Operating Voltage	120 VAC
Main Breaker	30 or 40 AMP
Rated Conditional Short	10 kAIC
Distribution Breakers	Max of (6) UL489 Breakers 0-20 AMP
Power Input Wire Size	#14 - #2 awg Cu - Al
Power Output Wire Size	#20 - #2 awg Cu - Al
Neutral & Ground Contacts	#14 - #4 awg Cu - Al
Disconnect Switch Current Rating	80 Amp Standard (PTS90422 Only)
SPD, Dual MOV (L-G)	20 kA 8/20 μ s Nominal
External Ground Connection	2-hole 1/4-20 w/ 5/8" spacing
UL Certification	UL67 Panel Boards

Mechanical Specifications

Housing Material	Powder Coated Aluminum
Breaker Access	Thumb knob & lockable hasp
Wire Access, Internal	1/4 hex head or #2 Phillip
Housing Dimensions (H x W x D)	(Excludes hasp & bracket)
PTS90420	10.13 x 6.15 x 6.00
PTS90422	15.14 x 6.15 x 6.00
Unit Weight / Shipping Wt	
PTS90420	10lbs/12lbs
PTS90422	12lbs/15lbs
Operating Temp	-40 C to 60 C
Humidity	95% Non-Condensing



PTS90420 SAP# 33364



PTS90422 SAP# 33365





PTS9042X Series Small Cell AC Power Distribution Panels

Load Out Matrix

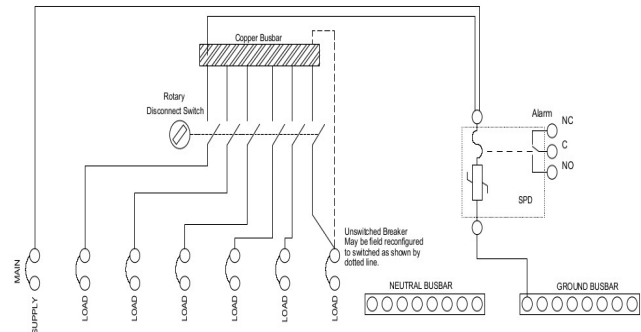
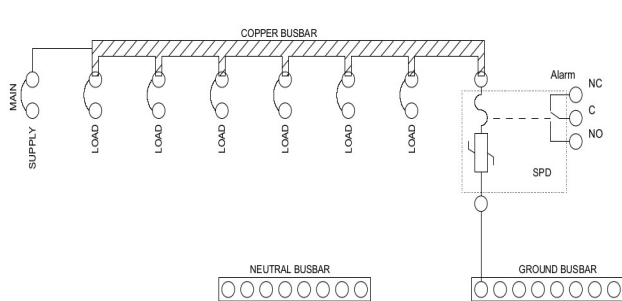
Base P/N		Position										Description									
#	-	P1	P2	P3	P4	P5	P6*	P	-	S											
PTS90420-	#	-	7	7	7	7	#	#	-	P	-	0	without Disconnect Switch	SAP# 33364							
PTS90422-	#	-	7	7	7	7	#	#	-	P	-	8	with Integrated External Disconnect Switch	SAP# 33365							
													0 = NO disconnect switch (PTS90420)								
													8 = 80AMP Integrated disconnect switch (PTS90422)								
													0 = NO SPD, max 6 breaker positions								
													P = Single SPD (L-G), max 6 breaker positions								
													PN = Dual SPD (L-N) and (N-G), max 5 breaker positions								
Code =		1	2	3	4	5	6	7	8	9	A	B	C	D	E	F	G	H	I	K	#
AMP =		1	2	3	4	5	6	7	8	9	10	11	12	13	14	15	16	17	18	20	Open
Amperage Code (3=30A, 4=40A) 10 kA Main Breaker																					

* PTS90420 does NOT include integrated disconnect switch

P6* - 6th breaker position is only available with a Single SPD, Dual SPD takes up the 6th position

Additional/Spare Breakers	
PTS P/N	Description
PT-KM1N-07A	UL489A DIN Rail Breaker, 07 AMP
PT-KM1N-10A	UL489A DIN Rail Breaker, 10 AMP
PT-KM1N-12A	UL489A DIN Rail Breaker, 12 AMP
PT-KM1N-16A	UL489A DIN Rail Breaker, 16 AMP

Single SPD Wiring Diagram



PTS90420 Wiring Drawing

PTS90422 Wiring Drawing

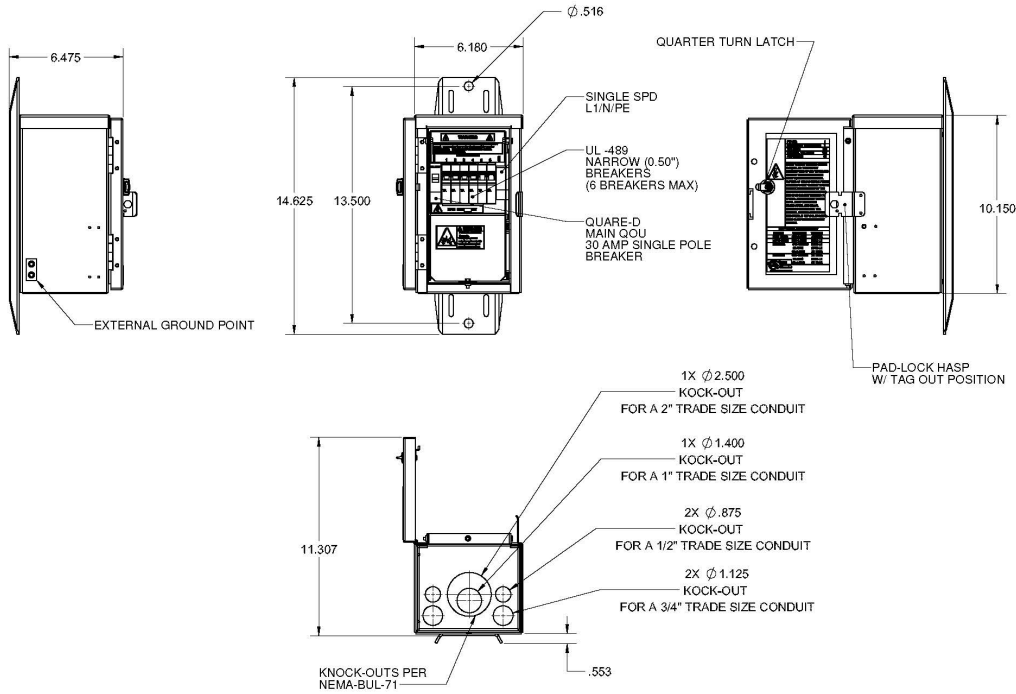
Drawings above show equipped with Single SPD, supporting up to 6 load breaker positions.





PTS9042X Series Small Cell AC Power Distribution Panels

PTS90420 Outline Drawing



PTS90422 Outline Drawing

